

LEGEND^{NX}

LGNXT05IRTV

5.1 HDTVI UNIVERSAL VARIFOCAL LENS TURRET CAMERA

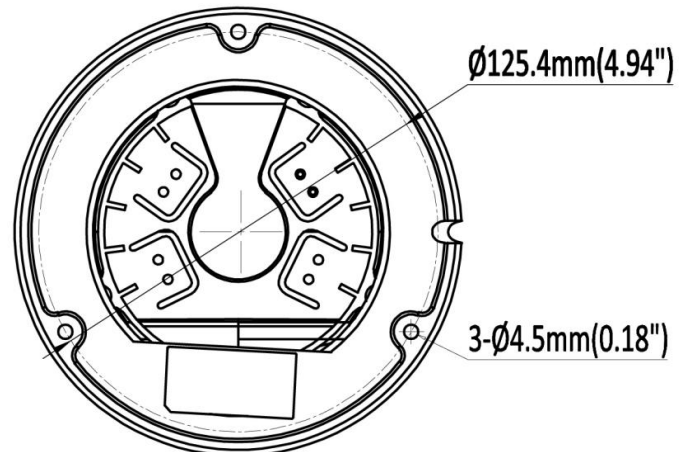
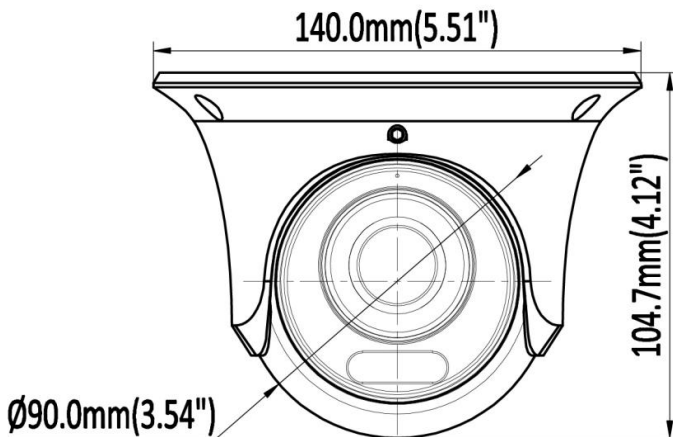
- 5MP High-Resolution Imaging
- 3.3mm ~ 12mm varifocal lens
- Up to 60m IR distance
- DWDR and 2D DNR for better image clarity
- Supports: TVI, AHD, CVI, CVBS
- Water and dust resistant (IP67)



In short

This 5MP high-resolution camera delivers 24/7 color images with a fixed 3.3mm ~ 12mm lens, providing clear visuals even at distances up to 60 meters using IR technology. It features DWDR and 2D DNR for enhanced image clarity and supports multiple video formats (TVI, AHD, CVI, CVBS), while being IP67-rated for water and dust resistance, ensuring durability in harsh environments.

Dimensions



*Design and specifications are subjects to change without notice.

Technical Specifications

Camera : LGNXT05IRTV	
Image Sensor	1/2.7" CMOS Sensor
Signal System	PAL/NTSC
Effective Pixels	2592 (H) × 1944 (V)
Electronic Shutter	AUTO/ 1/50 (1/60) ~ 1/50,000sec
Minimum Illumination	0.01Lux at (F1.2, AGC ON) , 0 LUX with IR
Video Frame Rate	PAL/NTSC: 5MP at 20fps
Video Output	AHD / TVI / CVI / CVBS
Camera Features	
S/N Ratio	≥ 50dB
Noise Reduction	2D DNR
Day/Night	EXT / Auto / Colour / B&W
White Balance	ATW / Manual
Wide Dynamic Range	DWDR
IR LED	4
Warm Light Range	60m / 196.9ft
Lens	
Focal Length	3.3 ~ 12mm Manual Zoom Lens
Field of View	Horizontal FOV: 102 ~ 38°, Vertical FOV: 56 ~ 22°, Diagonal FOV: 118 ~ 42°
Lens Type	Fixed Iris
Mount Type	Φ 14
General	
Operating Conditions	-40°C ~ +60°C, RH 95% MAX
Power Supply	DC12V (±10%)
Power Consumption	Less than 12W
Protection Level	IP67
Material	Metal
Dimensions	Φ 140 x 104.7 mm (5.51" x 4.12")
Gross Weight	1.36 lb /620 g

*Design and specifications are subjects to change without notice.

What you may need



XLGNXLB12C
Junction Box
Φ142 mm × 46.5mm



XLGNXPM03
Pole Mount
Φ170mm × 135.8mm × 43.7mm



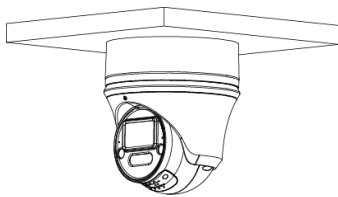
XLGNXLB07C
Wall Mount
Φ136mm × 120mm x 208mm



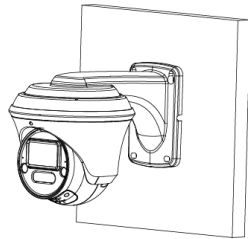
XLGNXCM700
Pendent Mount Bracket
Φ116 mm × 734.5 mm

Accessories Mount

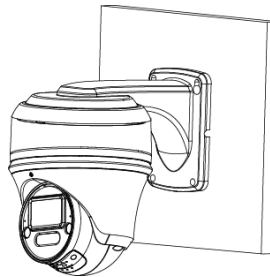
XLGNXLB12C



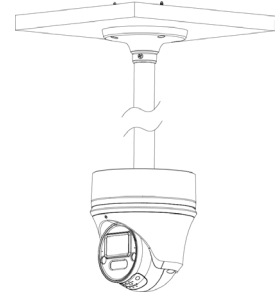
XLGNXLB07C



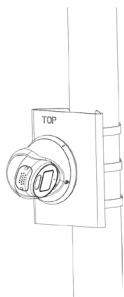
XLGNXLB07C + XLGNXLB12C



XLGNXLB12C + XLGNXCM700



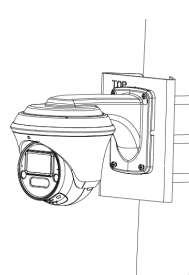
XLGNXPM03



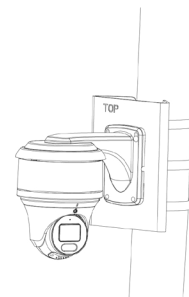
XLGNXPM03 + XLGNXLB12C



XLGNXPM03 + XLGNXLB07C



XLGNXPM03 + XLGNXLB12C + XLGNXLB07C



*Design and specifications are subjects to change without notice.